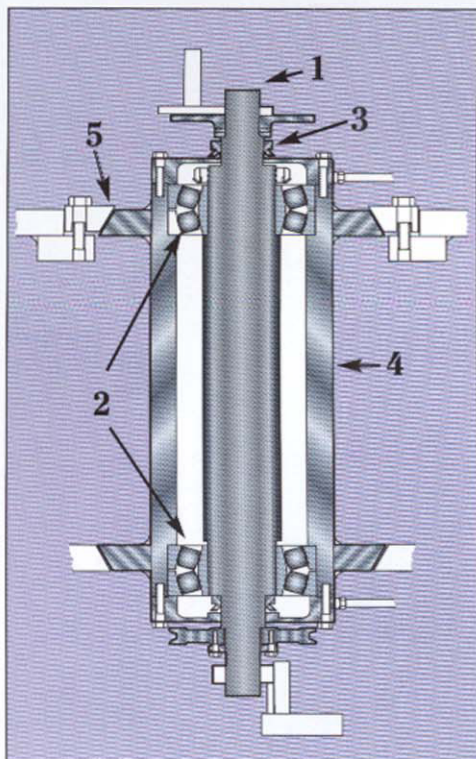


## Designed better to last longer...



The heart of our oil lubricated vibratory long radius finisher is the drive cartridge...

1. Heavy-duty, over-sized, precision machined drive shaft.
2. Highest quality double-row spherical bearings are fitted to drive shaft, with clearance to allow for heat expansion, unlike pressed bearings that can build-up heat and reduce bearing life.
3. Lightweight non-abrasive seals will never damage shaft.
4. For service, our extra-heavy walled cartridge is the most easily accessible and removable cartridge in the industry.
5. Tapered drive clips are pulled down with grade 9 bolts, superior to relying on bolt shear strength.

The conical structure and the center tube are designed to optimize the transfer of energy from the drive cartridge to the process channel by distributing it correctly and without unnecessary stress to the structure.

## Long Radius

### Finisher Options:

- Pneumatic Gates • PLC Automation
- Media Classifying • Rinse Bars
- Air Knife • Extended Screen Decks
- Step-down Screens • Gate Clearing
- Variable Speed • Sound Covers
- Settling Tanks • Oil Skimmers
- Waste Water Treatment • Material Handling

### Accessories for all makes:

- Drains • Gates • Compound System
- Screens • Noise and Dust Covers

### Services:

- **Process Evaluation:** send us your sample parts for a free process evaluation.
- **System Design:** we can design and build custom systems from simple batch processes to fully automated systems.
- **Vibratory Equipment Repair:** we service all makes and models of vibratory equipment from basic repair to complete restoration.
- **Relining:** on all makes and models, 3 grades of urethane available from cold to hot pour.

For Service Call... 800-711-1870

## Specification and Dimensions

Model	VTG-5LR	VT-10LR	VT-20LR	VT-30LR	VT-40LR	VT-50LR
Capacity (cu. ft.)	5	10	20	30	40	50
Motor Hp (A)	5	7.5	20	20	30	30
Number of drain	2	2	3	3	4	4
Lubrication system (C)	Grease	Auto Oil	Auto Oil	Auto Oil	Auto Oil	Auto Oil
Discharge height (D)	32"	42"	48"	50"	52"	54"
Channel width (E)	9.5"	11"	13"	15"	16.5"	17.5"
Overall diameter (F)	55"	68"	92"	116"	124"	136"
Overall height (G)	39"	50"	58"	60"	62"	64"
Foot print	5' x 5'	6' x 6'	8' x 8'	10' x 10'	11' x 11'	12' x 12'

Due to on going design improvements, design and specifications are subject to change without notice.

In addition to our line of Long Radius Finishers we have a full line of: Vibratory Finishers, Vibratory Dryers, Vibratory Combos; Finisher/Dryer, Helix Finishers; for continuous operations, Tub Finishers; for batch processes

